



BCM8112 PRODUCT Brief



16-BIT LVDS AND 64-BIT LVPECL INTERFACE

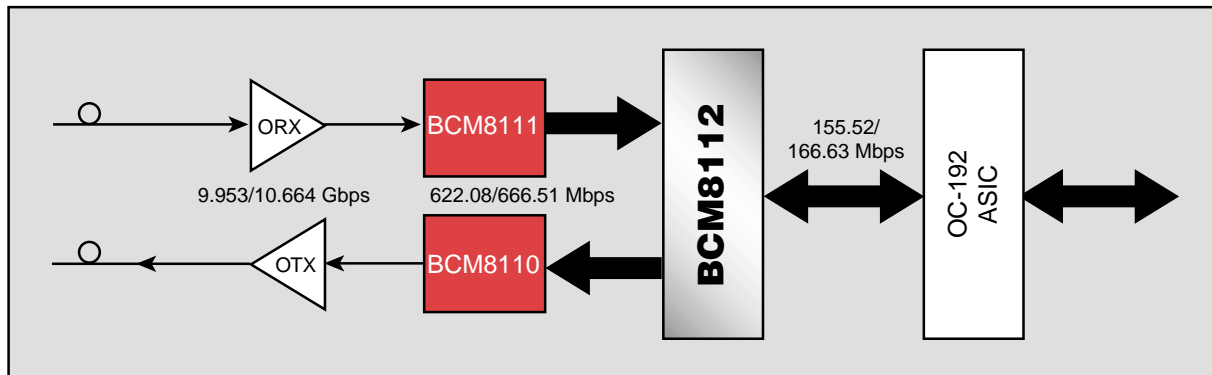
BCM8112 FEATURES

- 64:16 MUX with single-ended LVPECL 155.52/166.65-Mbps data inputs and LVDS 622.08/644.45-Mbps differential data outputs
- 16:64 DEMUX with LVDS 622.08/644.45 Mbps differential data inputs and 155.52/166.65 Mbps series terminated logic (STL) single-ended data outputs
- On-chip 64 x 9 FIFO to eliminate system timing issues
- Core power supply: 1.8V
- I/O power supplies: 1.8V LVDS, 3.3V STL, and 3.3V CMOS
- Power consumption: 1700 mW typical
- Standard CMOS fabrication process
- 452-pin BGA package

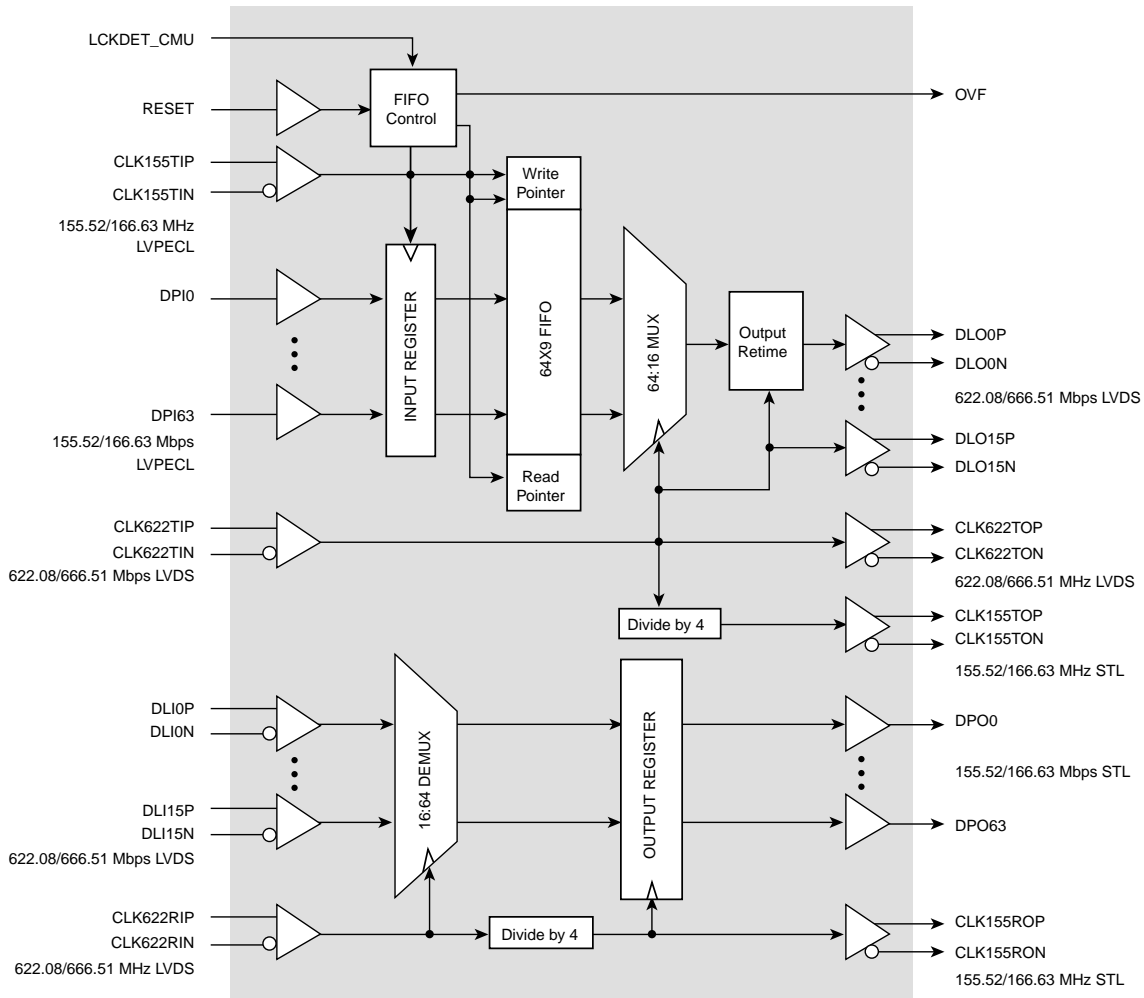
SUMMARY OF BENEFITS

- Compliant with industry standards such as: Optical Internetworking Forum (OIF), Telcordia, and ITU-T standards.
- High level of integration allows for higher port density solutions.
- CMOS-based device uses the most effective silicon economy of scale.
- Low power consumption eliminates the need for external cooling sources.
- Target applications:
 - OC-192/STM-64 transmission equipment
 - SONET/SDH optical modules
 - ADD/DROP multiplexers
 - Digital cross-connects
 - ATM switch backbone
 - SONET test equipment
 - Terabit routers
 - Edge routers

Application Block Diagram



Interface Block Diagram



The **BCM8112** 16/64 LVDS/LVPECL interface is a fully integrated, 64:16 MUX and 16:64 DEMUX. The low-speed, 64-bit interface operates at 155.52/166.65 Mbps, and the high-speed, 16-bit interface operates at 622.08/644.45 Mbps. The 64-bit input interface is LVPECL, while the 64-bit output interface is STL. Both the 16-bit input and output interfaces are LVDS.

An on-chip 64 x 9 FIFO reduces any system timing issues. In OC-192 applications, this device can be used as an interface between a 64-bit LVPECL ASIC and 16-bit LVDS BCM8110/8111 OC-192 transmitter/receiver. The **BCM8112** comes in a 35 x 35 mm BGA package.

Broadcom® and the pulse logo® are registered trademarks of Broadcom Corporation and/or its subsidiaries in the United States and certain other countries.

For more information please contact us at:
Phone: 949-450-8700, FAX: 949-450-8710
Email: info@broadcom.com



Visit our web site at: www.broadcom.com

© 2001 by BROADCOM CORPORATION. All rights reserved.

8112-PB01-R-8.27.01

BROADCOM CORPORATION
 16215 Alton Parkway, P.O. Box 57013
 Irvine, California 92619-7013